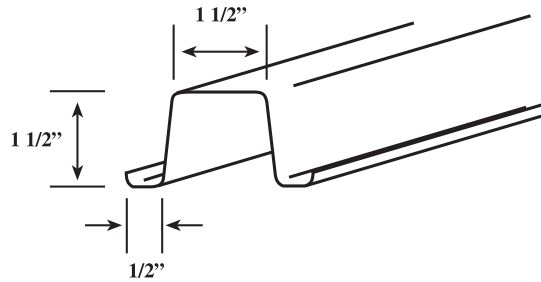


# MAC-GIRT

The Future of Post Frame Construction is Here!

Mac-Girt is a structural steel member designed specifically for the needs of the post frame industry. Over the years, post frame construction has effectively been transformed from simple agricultural structures to engineered buildings used extensively in the commercial sector. This transition from agricultural to commercial has resulted in more architects and engineers recognizing the value of post frame construction. Now, Mac-Girt offers post frame builders an opportunity to market a new and superior post frame building to better compete with conventional construction methods in the commercial sector.



Post frame buildings utilizing Mac-Girt provide greater strength and performance than typical post frame buildings. In fact, when tested for diaphragm performance, Mac-Girt systems achieved unsurpassed results, far exceeding any previously published test results using wood framing members. For more information on Mac-Girt diaphragm testing please request McElroy's white paper entitled "Technical Data for Mac-Girt Roof and Wall Diaphragms."

Mac-Girt also offers other advantages, including:

- Mac-Girt members can be shipped with your McElroy panels for fast and convenient delivery. Also, they are nestable, requiring less storage space.
- Mac-Girt members are easy to erect.
- Always a consistent product, Mac-Girt offers the kind of support that can only come from steel.
- Mac-Girt has a corrosive resistant, light hot-dip zinc coating to assure durability.

SECTION PROPERTIES										
Section B x D = 1.5" x 1.5" .125 inside radius, 83 deg.					AXIS X-X					
					TOP IN COMPRESSION			BOTTOM IN COMPRESSION		
Fy	Gauge	Weight lb/ft	Area in <sup>2</sup>	Va kips	Ix in <sup>4</sup>	Se in <sup>3</sup>	Ma k-ft.	Ix in <sup>4</sup>	Se in <sup>3</sup>	Ma k-ft.
80	20	0.73	0.216	2.041	0.0684	0.0923	3.263	0.0697	0.0915	3.288
80	18	0.89	0.262	2.502	0.0845	0.1158	3.938	0.0845	0.1096	3.938
50	16	1.13	0.332	2.588	0.1041	0.1422	5.279	0.1041	0.1357	5.279

Notes:

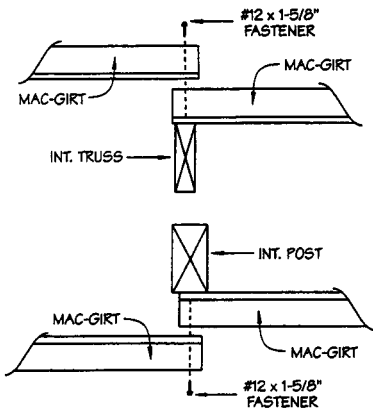
1. Section Properties and allowables are calculated in accordance with the 2001 Edition of the North American Specification for the Design of Cold-Formed Steel Structural Members.
2. Va is the allowable shear.
3. Ix is for deflection determination.
4. Se is for bending.
5. Ma is the allowable bending moment when fully braced laterally.



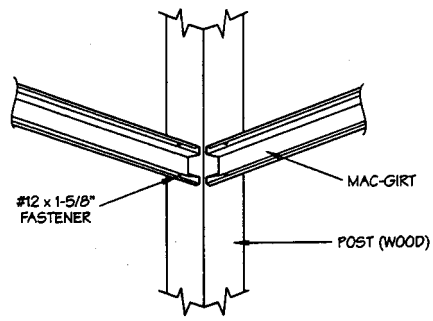
McElroy Metal, Inc.

MAC-GIRT

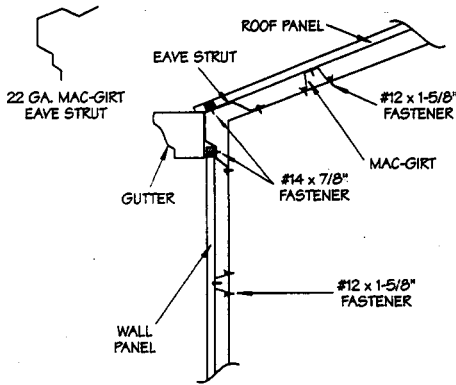
# MAC-GIRT ERECTION DETAILS



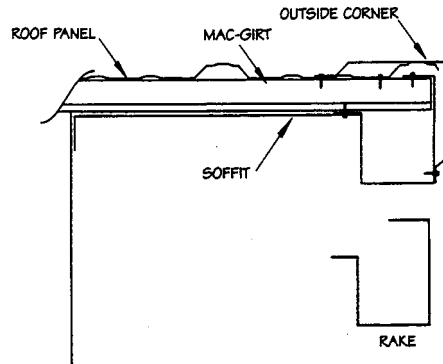
TRUSS & POST CONNECTIONS



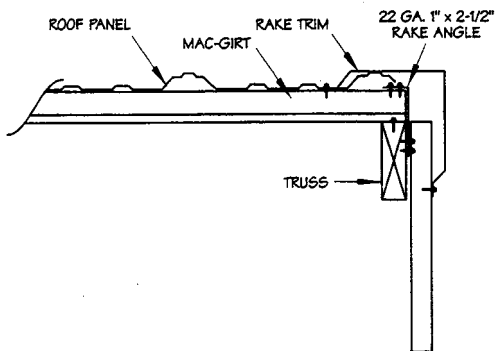
CORNER



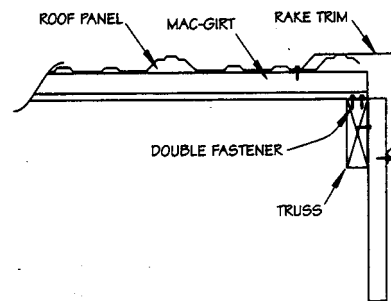
EAVE W/  
GUTTER



END WALL EXTENSION  
12" OR 16"



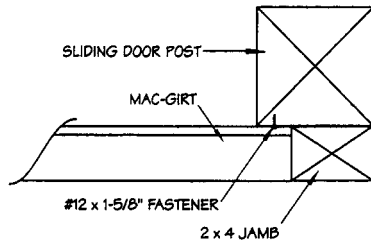
HIGH STRENGTH  
END WALL DETAIL



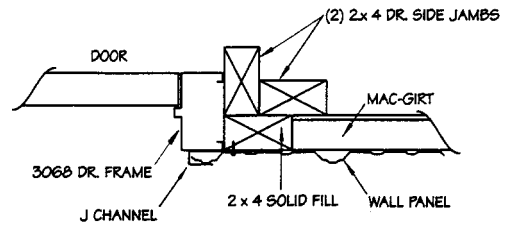
STD. END WALL  
DETAIL



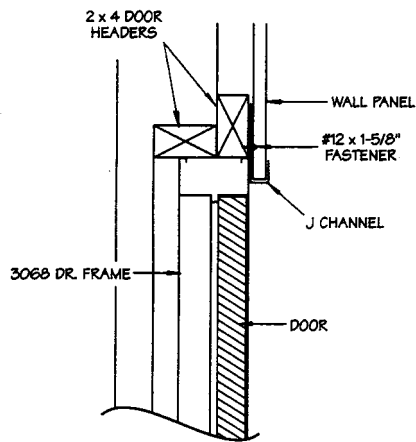
# MAC-GIRT ERECTION DETAILS



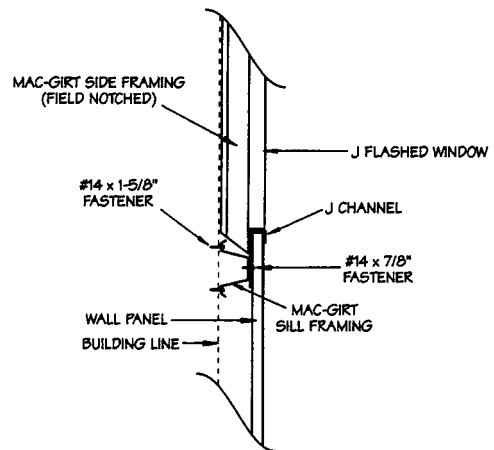
JAMB DETAIL



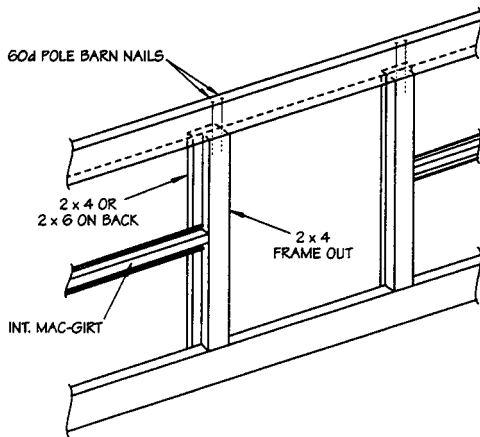
WALK DOOR JAMB



WALK DOOR HEAD



WINDOW



WINDOW

## NOTES:

1. The details shown are suggestions or guidelines on how to erect Mac-Girt members. The details may require revisions or modifications, depending upon project conditions.
2. Mac-Girt is available in 16'-2" and 24'-2" lengths.
3. Eave struts are available in 16'-2" lengths.
4. To fasten Mac-Girt to wood, use #12 x 1 5/8" Hex Dekfast fastener (McElroy item: #93940).
5. To fasten panel to Mac-Girt, use #14 x 7/8" Self-drill fastener.
6. To fasten trim to Mac-Girt, use #14 x 7/8" Self-drill fastener.
7. Self-drilling fasteners should be installed with a 2500 rpm screw gun, equipped with a depth locating nosepiece to prevent overdriving.





**CORPORATE OFFICE**  
 1500 HAMILTON RD.  
 BOSSIER CITY, LA 71111

For more information please call:  
**800-562-3576**

☆ MANUFACTURING LOCATIONS ● SERVICE CENTERS  
 ☆ MANUFACTURING AND SERVICE CENTER

**MANUFACTURING LOCATIONS**

BOSSIER CITY, LOUISIANA    CLINTON, ILLINOIS    MERKEL, TEXAS    MAUSTON, WISCONSIN    LEWISPORT, KENTUCKY  
 WINCHESTER, VIRGINIA    ADELANTO, CALIFORNIA    MARSHALL, MICHIGAN    PEACHTREE CITY, GEORGIA    ASHBURN, GEORGIA

**McELROY METAL  
 SERVICE  
 CENTER**

1500 Hamilton Rd. <b>Bossier City, LA 71111</b> (888) 245-3696 Fax (318) 747-8657	9435 U.S. 60 W. <b>Lewisport, KY 42351</b> (800) 844-3724 Fax (270) 295-3274	409 Lovejoy Road <b>Ft. Walton Beach, FL 32548</b> (800) 950-6026 Fax (850) 664-6840	3036 Progress Road <b>Madison, WI 53716</b> (800) 988-0921 Fax (608) 226-0923	1500 Country Club Dr. <b>Jackson, MS 39209</b> (800) 704-7159 Fax (601) 922-2997
13742 Giles Road <b>Omaha, NE 68138</b> (800) 950-6538 Fax (402) 896-0369	8304 Hwy. 70 E. <b>North Little Rock, AR 72117</b> (800) 950-6539 Fax (501) 945-3028	165 North Outer Road West <b>Valley Park, MO 63088</b> (888) 673-0920 Fax (636) 861-0925	5300 83rd Street <b>Sacramento, CA 95826</b> (800) 950-8448 Fax (916) 381-9069	1365 Dean Forest Rd. <b>Savannah, GA 31405</b> (800) 342-2764 FAX (912) 232-1164
3052 Yadkin <b>Chesapeake, VA 23323</b> (888) 286-6334 Fax (757) 485-5655	518 Grider Field Ladd Rd. <b>Pine Bluff, AR 71601</b> (870) 536-0161 Fax (870) 536-0167	14373 Creosote Rd., Bld. B <b>Gulfport, MS 39503</b> (866) 683-1205 Fax (228) 575-9991	1144 Silstar Rd. <b>West Columbia, SC 29170</b> (866) 494-5316 Fax (803) 926-8139	5215 Leo St. <b>Alexandria, LA 71301</b> (888) 767-0087 Fax (318) 767-0089